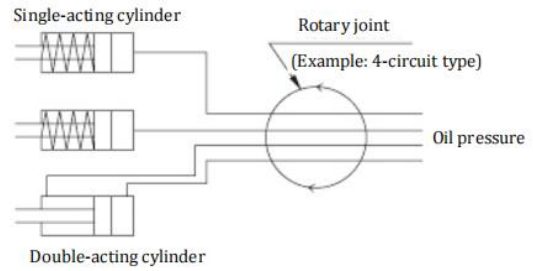


**YRA oil circuit distributor**

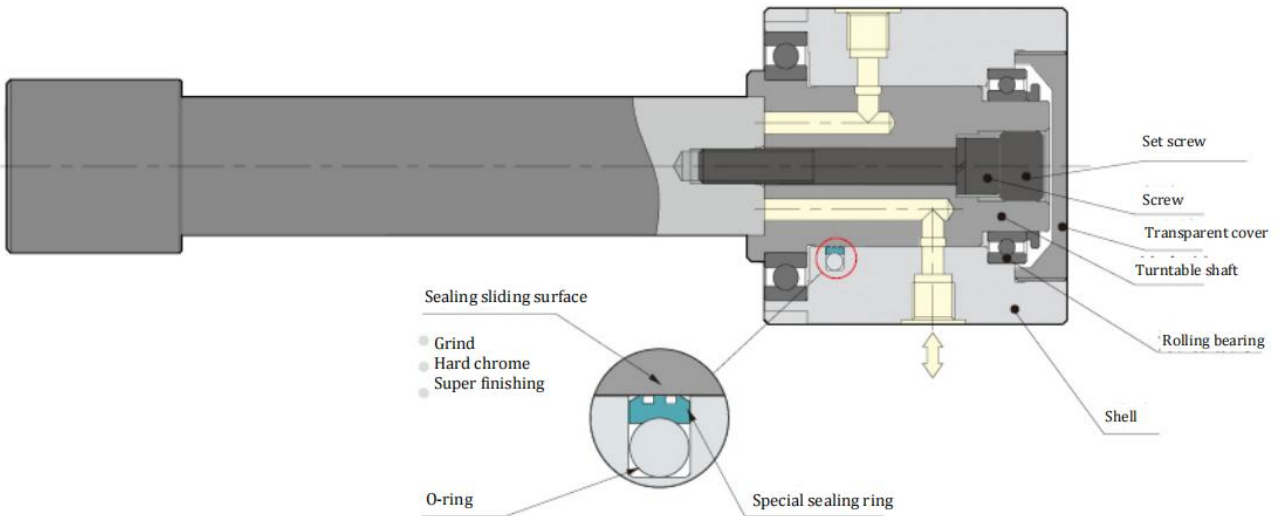


**New product description**  
 According to the continuous improvement of domestic machining customers, there are more and more requirements for four-axis fixtures. We have designed several four-axis rotary joints for customers according to the proportion screening results of customers' feedback information. We hope you can communicate with our technicians about the use parameters before selection. Thank you for your cooperation!



The hydraulic rotary joint effectively solves the problem that the oil pressure hose and fixed piping are difficult to supply oil to the rotary table of the machining center.

For example: when the 4-circuit type is selected, it can be used to control a single-acting cylinder or 2 double-acting cylinders respectively.



\*Disassembly method: unscrew the transparent cover, take out the set screw and M8 screw to separate the head and rod of the hydraulic rotary joint to disassemble it;

Pass the rod through the base, then connect it with the tail, install the screw and set screw, screw the transparent cover to install it.

**Low starting torque**  
 A special seal with low resistance is adopted to minimize sliding resistance and realize low torque at start-up.

**Excellent sealing and durability**  
 After the sealing sliding surface is ground and hard chrome-plated, it is super-finished for excellent sealing performance and durability.

Specifications

Model		YRA-2	YRA-4	YRA-6
Number of circuits		2-circuit	4-circuit	6-circuit
Operating fluid		Ordinary mineral oil-based hydraulic oil (equivalent to ISO-VG32) and air		
Maximum operating pressure (Mpa)		25		
Allowed RMPs		Varies with the fluid pressure		
Operating environment temperature (°C)		0~70		
Piping interface dimension		Rp 1/8		
Mass (kg)	255	3.18	3.80	4.5
	320	3.57	4.37	4.80
	400	3.76	4.76	5.17

Note: it is suitable for Tanxing four-axis turntable. If the customer uses other turntables, the pole needs to be remade

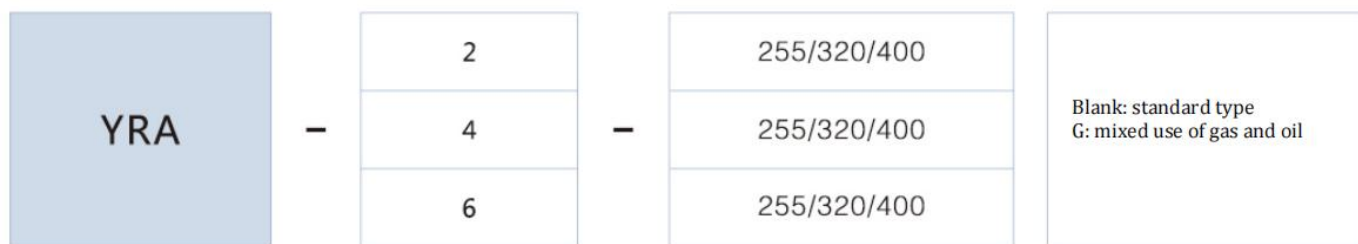
Model Representation

YRA—①② (standard model)

①Number of circuits

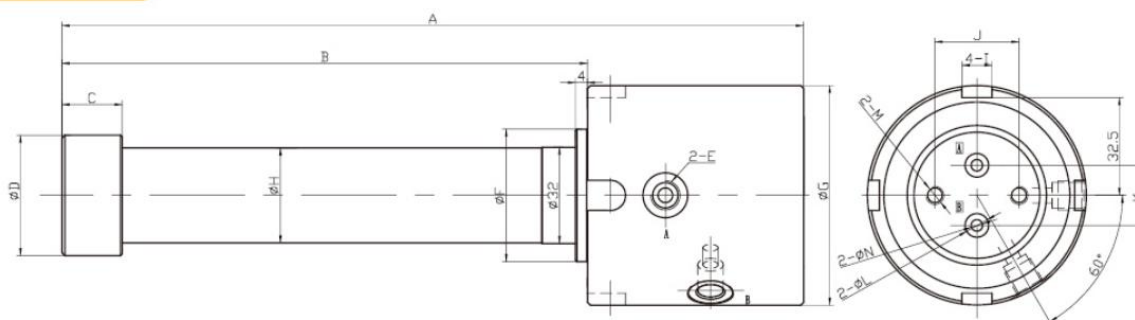
②Four-axis model

③Special remarks



Overall Dimension

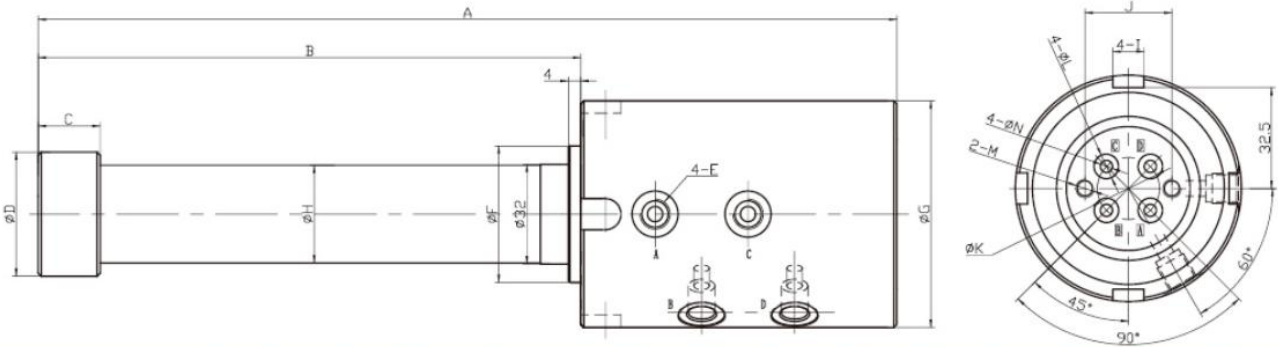
YRA-2



Model	A	B	C	D	E	F	G	H	I	J	K	L	M	N
YRA-2-255	247	175	20	40	RP1/8	44	73	31.5	10	28	20	8	M6	4
YRA-2-320	317	245	20	40	RP1/8	44	73	31.5	10	28	20	8	M6	4
YRA-2-400	362	290	60	40	RP1/8	44	73	31.5	10	28	20	8	M6	4

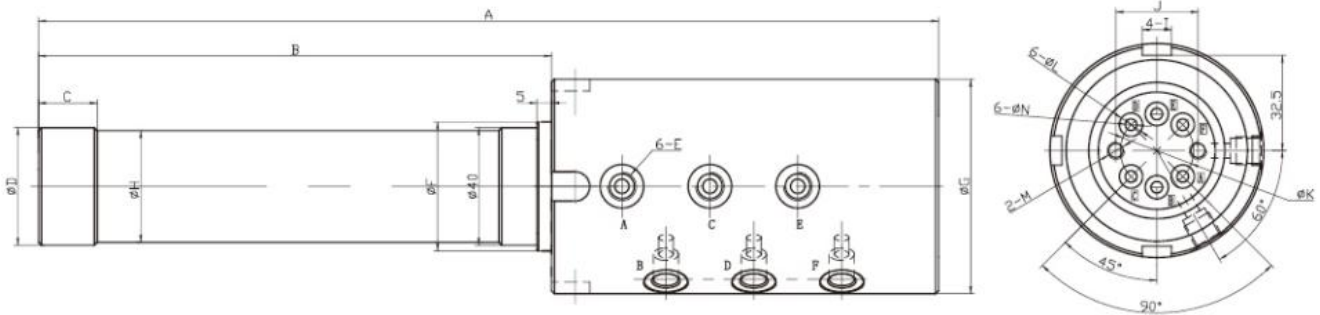
Note: all YRA oil circuit distributors in this series are equipped with O-ring with the model of AS568-802

**YRA-4**



Model	A	B	C	D	E	F	G	H	I	J	K	L	M	N
YRA-4-255	277	175	20	40	RP1/8	44	73	31.5	10	28	20	8	M6	4
YRA-4-320	347	245	20	40	RP1/8	44	73	31.5	10	28	20	8	M6	4
YRA-4-400	392	290	60	40	RP1/8	44	73	31.5	10	28	20	8	M6	4

**YRA-6**



Model	A	B	C	D	E	F	G	H	I	J	K	L	M	N
YRA-6-225	307	175	20	40	RP1/8	44	73	38	10	28	25	8	M6	4
YRA-6-320	377	245	20	40	RP1/8	44	73	38	10	28	25	8	M6	4
YRA-6-400	422	290	60	40	RP1/8	44	73	38	10	28	25	8	M6	4

Note: all YRA oil circuit distributors in this series are equipped with O-ring with the model of AS568-802